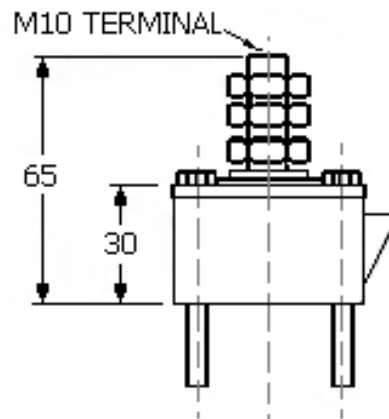
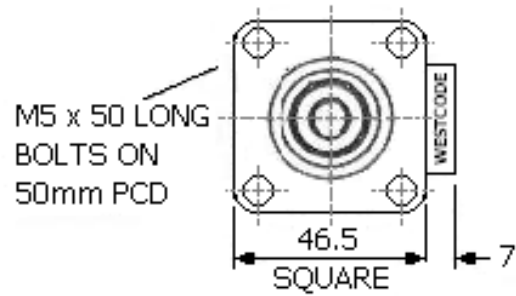
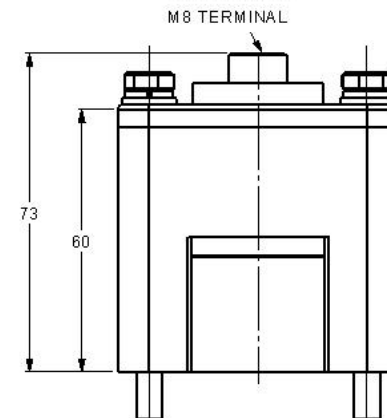
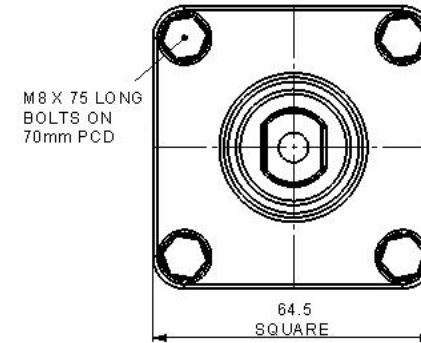


Clamps (Dimensions in mm and inches) (1mm= 0.0394 inch)



WC48 & WC49 CMK450B19M & 25M

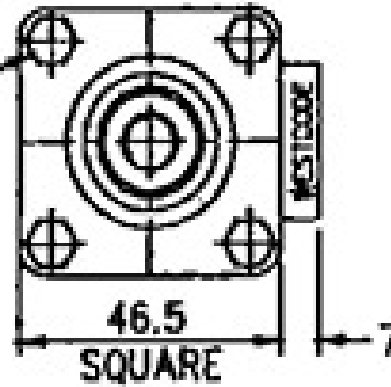


WC50 CMK1500B34M

Molded Box Style	Injection
Fixing Centers (mm)	50 PCD
Rod Size	M5x50 Bolts
Capsule Package Type	DO-200AA/TO-200AB
Mounting Surface Diameter (mm)	25.1
Nominal Thickness (mm)	14.6
Force (kgf)	450
T _J Max (°C)	190

CMK450B25M

M5 x 50 LONG
BOLTS ON
50mm PCD.



M10 TERMINAL
(MAX DRY TORQUE)
1Kgm UNSUPPORTED
2Kgm SUPPORTED

