



CONNECT AND PROTECT

Hydraulic & Manual Tools

Flexible Busbar and Copper Busbar Manipulation and Transformation Solutions


nVent

ERIFLEX

TABLE OF CONTENTS

HYDRAULIC TOOLS

Hydraulic Busbar & Flexibar Work Center	04
Hydraulic Busbar & Flexibar Puncher	08
Hydraulic Busbar & Flexibar Puncher Accesories	09
Crimping Tool for Hydraulic Puncher	10
Hydraulic Busbar & Flexibar Bender	11
Hydraulic Busbar Cutter	12
Hydraulic Flexibar Shearing Tool	13

MANUAL TOOLS

Manual Flexibar Work Center	14
Flexibar Folding Tool MFF	17
Flexibar Bending Tool HFBT	20
Flexibar Shearing Tool, Bending Tool, Twisting Tool	22
Flexibar Drilling Tool, Tripping Tool, Stripping Knife	23
Flexibar Punching Tool & Accessories	24
Flexibar Small Bending & Folding Tool, Braid & Crimp	25
Din Profiles Cutting & Punching Tool	26
Cross Reference	27

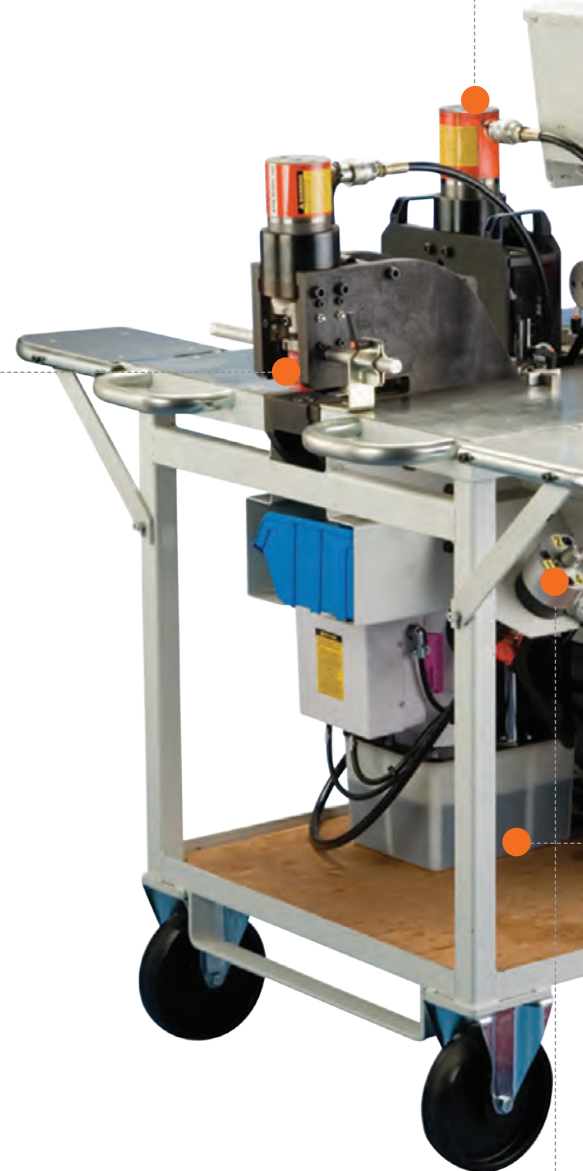
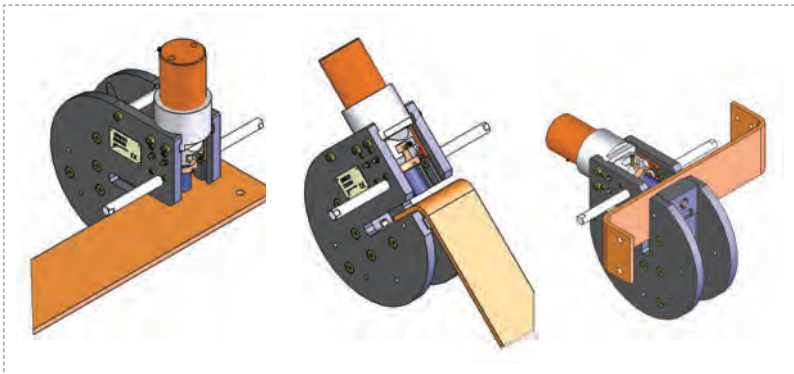
Hydraulic Busbar & nVent ERIFLEX Flexibar Work Center



Hydraulic Busbar Cutter



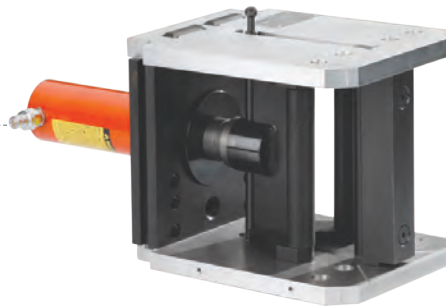
Hydraulic Busbar & Flexibar Puncher



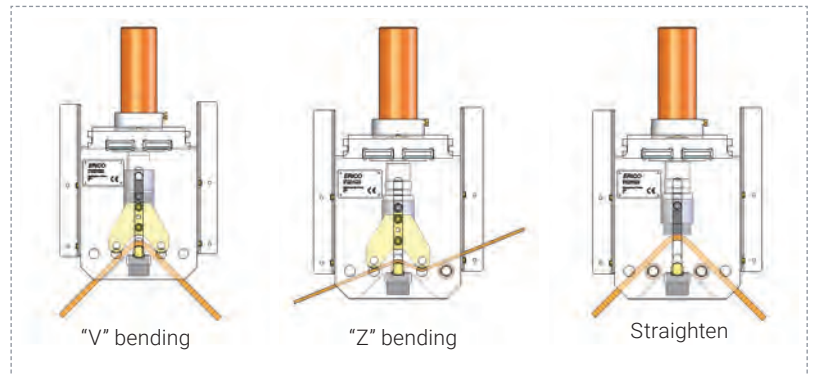
4-Ways Directional Valve



Programmable Angle Controller



Hydraulic Busbar Bender



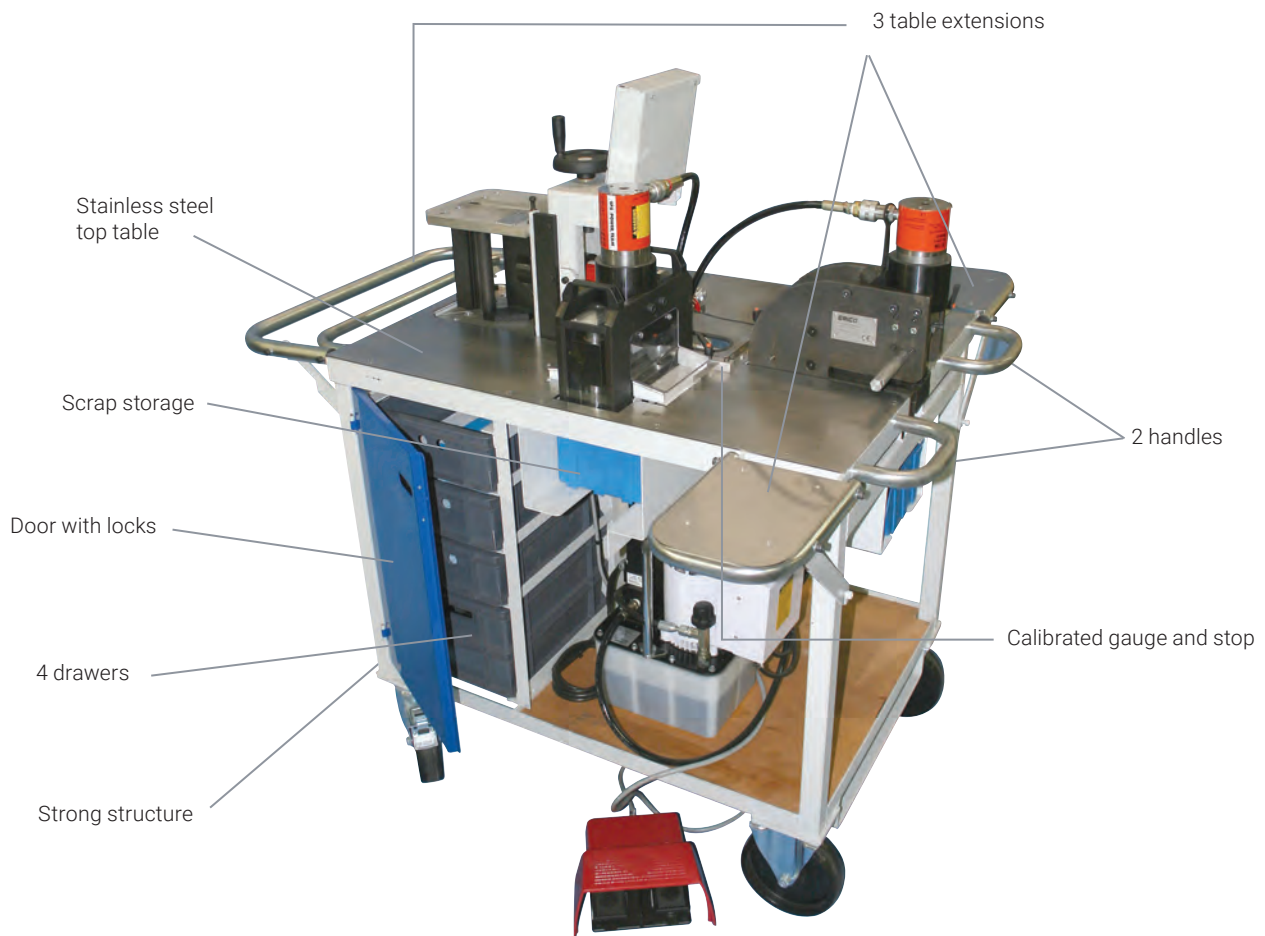
Hydraulic Pump & Foot Controller



Flexibar Shearing Tool*

*Not including in the European Workcenter

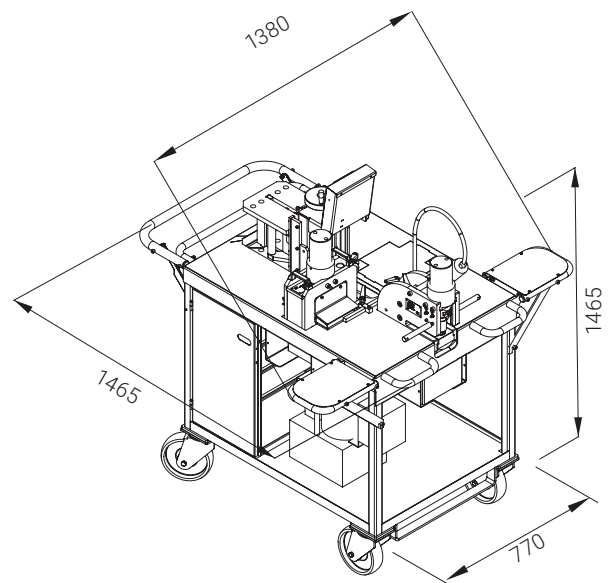
Hydraulic Busbar & Flexibar Work Center





HYDRAULIC BUSBAR & FLEXIBAR WORK CENTER

- Mobile workbench including machines for Cutting, Bending and Punching Copper Busbars or Flexibar
- This set is composed of:
 - Hydraulic Punch for Solid Bar & Flexibar (Punches and dies not included)
 - Hydraulic Busbar & Flexibar Bender 200 x 12,7 mm (8" x 1/2") with lift to adjust the machine level
 - Hydraulic Busbar Cutter 125 x 12,7 mm (5" x 1/2")
 - Hydraulic Pump 700 Bars & Foot Controller
 - Machine selector: 4-way directional valve to select the required machine
 - 2 Ejection Stop (without punch & die set)
 - Programmable Angle Controller
 - Protected by Circuit Breaker
 - 4 Drawers to put away accessories
 - Power cable 6 m long
- One hydraulic hose, free to connect additional tools (Flexibar Shearing tool or other)

EVERY TOOL CAN BE PURCHASED SEPARATELY - SEE PAGE 8-13



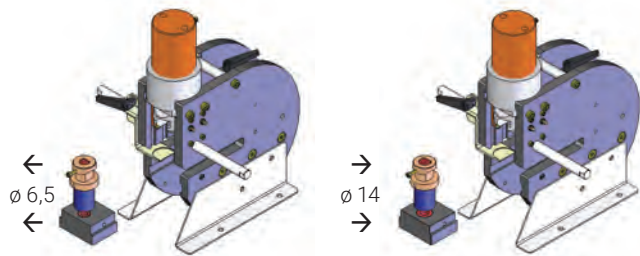
Article N°	Description		
545650	Hydraulic Busbar & Flexibar Work Center - 230V (Flexibar Shearing Tool not included)	1	356 kg
545720	Hydraulic Busbar & Flexibar Work Center - 115V (Flexibar Shearing Tool included)	1	857 lbs

Hydraulic Busbar & Flexibar Puncher

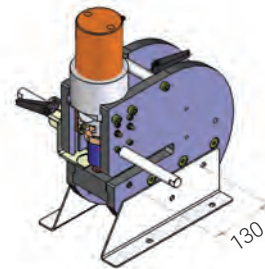


- Copper or Aluminium Busbar & Flexibar
- Maximum Capacity
 - Throat depth: 130 mm (5")
 - Maximum thickness of bar: 12,7 mm (1/2")
- Maximum working hydraulic pressure: 700 bars (10,000 PSI)
- Strong mechanical construction
- Quick set up punches & dies system
- Flat and clean hole edge
- Punch pip to adjust the hole position
- Calibrated side and depth gauge and stop
- Large range of punches and dies available from 6,5 to 20 mm (5/16 - 8/16") + oval
- Working position: Horizontal, 45°, 90° (when installed on the Work Center)

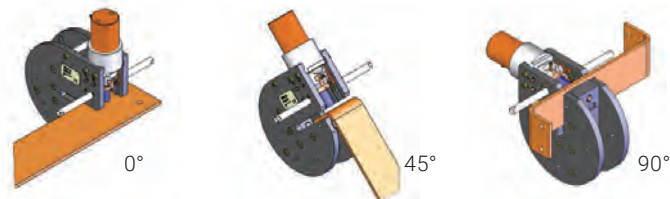
1. QUICK SET-UP – NO TOOL REQUIRED



2. MAXIMUM CAPACITY THROAT DEPTH: 130 MM



3. THREE POSITIONS



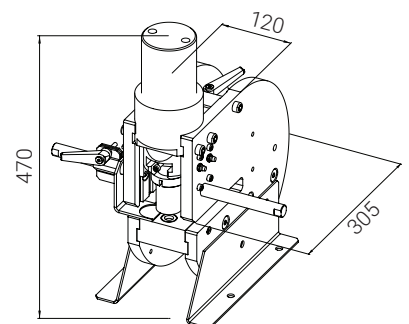
90° available on work center only. If Puncher is purchased separately, only two positions available: 0° and 45°

4. ROUND & OVAL HOLES

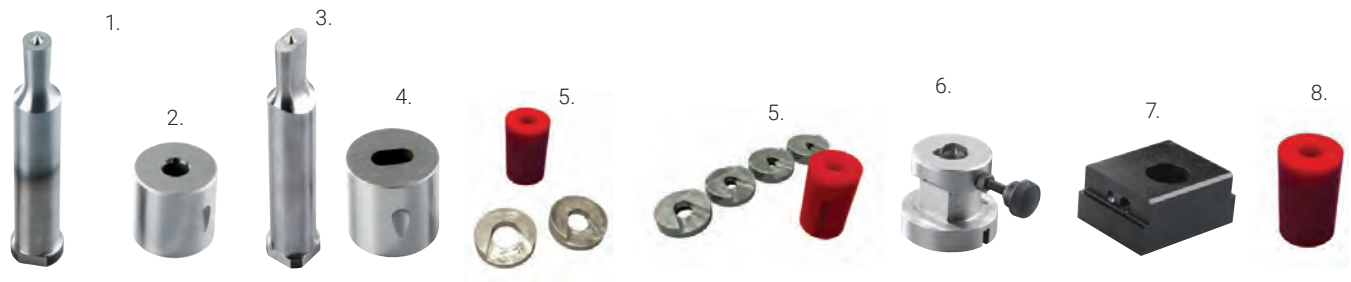


PUNCHING MACHINE

Article No	Description		
545680	Puncher	1	54.00 kg



Hydraulic Busbar & Flexibar Puncher Accesories



TROUS ROUNDS - MÉTRIQUES

Article N°	Punch (fig. 1)			Article N°	Die (fig. 2)			Article N°	Ejection Stop (fig. 5)		
545800	6,5 mm	1	0.13 kg	545801	6,5 mm	1	0.19 kg	545893	6,5-9-11-14	1	0.550 kg
545805	9 mm	1	0.14 kg	545806	9 mm	1	0.18 kg	545893	6,5-9-11-14	1	0.550 kg
545810	11 mm	1	0.14 kg	545811	11 mm	1	0.17 kg	545893	6,5-9-11-14	1	0.550 kg
545815	14 mm	1	0.16 kg	545816	14 mm	1	0.16 kg	545893	6,5-9-11-14	1	0.550 kg
545820	18 mm	1	0.24 kg	545821	18 mm	1	0.13 kg	545894	18-20	1	0.280 kg
545825	20 mm	1	0.25 kg	545826	20 mm	1	0.11 kg	545894	18-20	1	0.280 kg

METRIC OVAL HOLES (PUNCHES AND DIES FOR IMPERIAL OVAL HOLES AND SLOTS AVAILABLE ON REQUEST)

Article N°	Punch (fig. 3)			Article N°	Die (fig. 4)			Article N°	Ejection Stop (fig. 5)		
545850	6,5x13 mm	1	0.14 kg	545851	6,5x13 mm	1	0.15 kg	545893	6,5-9-11-14	1	0.550 kg
545855	9x18 mm	1	0.22 kg	545856	9x18 mm	1	0.12 kg	545894	18-20	1	0.280 kg
545860	11x20 mm	1	0.24 kg	545861	11x20 mm	1	0.1 kg	545894	18-20	1	0.280 kg
545865	14x20 mm	1	0.24 kg	545866	14x20 mm	1	0.1 kg	545894	18-20	1	0.280 kg

IMPERIAL SIZES ROUND HOLES

Article N°	Punch (fig. 1)			Article N°	Die (fig. 2)			Article N°	Ejection Stop (fig. 5)		
545950	5/16" Punch - 1/4" Bolt	1	0.13 kg	545951	5/16" Die - 1/4" Bolt	1	0.19 kg	545893	6,5-9-11-14	1	0.550 kg
545955	3/8" Punch - 5/16" Bolt	1	0.14 kg	545956	3/8" Die - 5/16" Bolt	1	0.18 kg	545893	6,5-9-11-14	1	0.550 kg
545960	17/32" Punch - 7/16" Bolt	1	0.16 kg	545961	17/32" Die - 7/16" Bolt	1	0.16 kg	545893	6,5-9-11-14	1	0.550 kg
545965	9/16" Punch - 1/2" Bolt	1	0.16 kg	545966	9/16" Die - 1/2" Bolt	1	0.16 kg	545893	6,5-9-11-14	1	0.550 kg

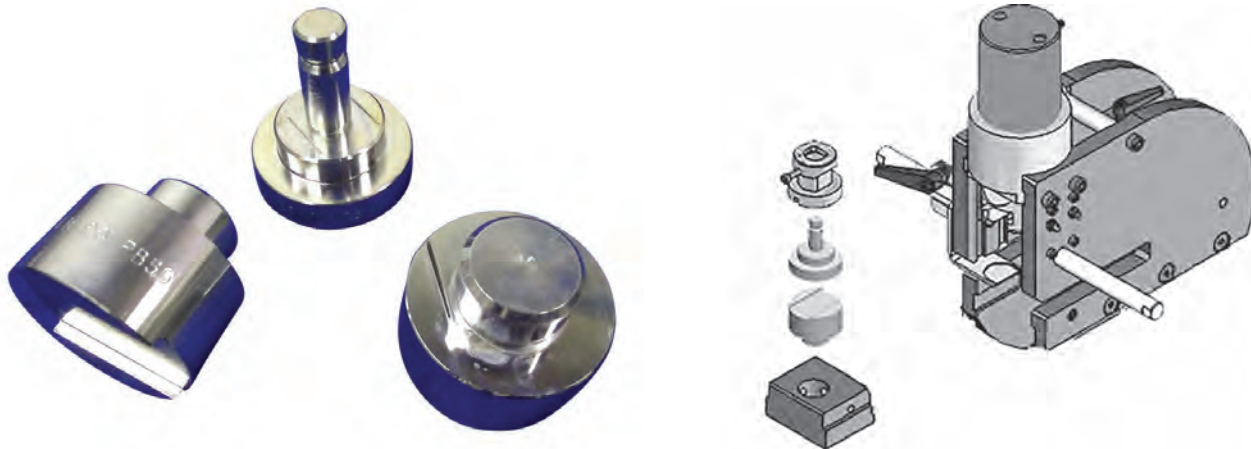
REPLACEMENT EJECTION STOP

Article N°	Description (fig. 8)		
545895	Ejection stop 6.5-9-11-14	1	0.66 kg
545896	Ejection stop 18-20	1	0.058 kg

SPARE PARTS

Article No	Description		
545900	Punch Holder 6,5-9-11-14 (fig. 6)	1	0.55 kg
545905	Punch Holder 18-20 (fig. 6)	1	0.48 kg
545910	Die Holder (fig. 7)	1	1.60 kg

Crimping Tool for Hydraulic Puncher



This package allows to crimp lugs PB16, PB25, PB 50 on braids with hydraulic puncher, and allows to make your own grounding braid.

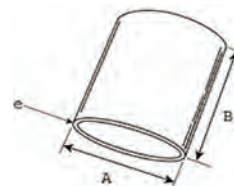
FEATURES

- Crimps PB lugs on braids using the Hydraulic Flexibar and Busbar Puncher
- Crimps braids and lugs flat and to a consistent thickness
- Kit includes one punch and two dies to accommodate all PB lug sizes
- Quick and easy setup without tools
- RoHS compliant

SPECIFICATIONS

Part Number	HTC3-4
Article Number	545980
Material	Steel
Unit Weight	1,85 kg
Certifications	EAC 8462399100 (Russian Federation) RoHS
Standard Packaging Quantity	1 pc
UPC	78285687540
EAN-13	3479775459806

BRAIDS AND LUGS TO USE



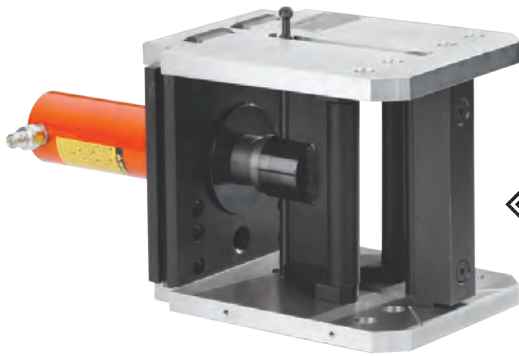
BRAIDS

Article N°	Description	Section mm ²	mm
557240	FTCB 15-16	16	15x1.5
557260	FTCB 15-25	25	23x1.5
557300	FTCB 15-50	50	28x3

LUGS

Article No	Description	A mm	B mm	C mm
557180	PB 16	16	15	1
557190	PB 25	22	25	1
557380	PB 50	30	30	1

Hydraulic Busbar & Flexibar Bender



- Copper or Aluminium & Flexibar
- Maximum capacity copper cross section 2000 mm²
- Maximum bar width: 200 mm (8")
- Maximum bar thickness: 12,7 mm (1/2")
- Bending radius: 12,5 mm / 1/2"
- Adjustable angle up to 100°
- Bending accessories for copper or aluminium busbar & Flexibar
- +/-2° angle precision

1. ONE MACHINE / THREE FUNCTIONS: QUICK SET-UP

+/- 2°



"V" bending



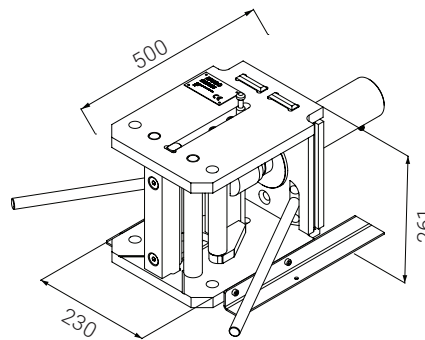
"Z" bending



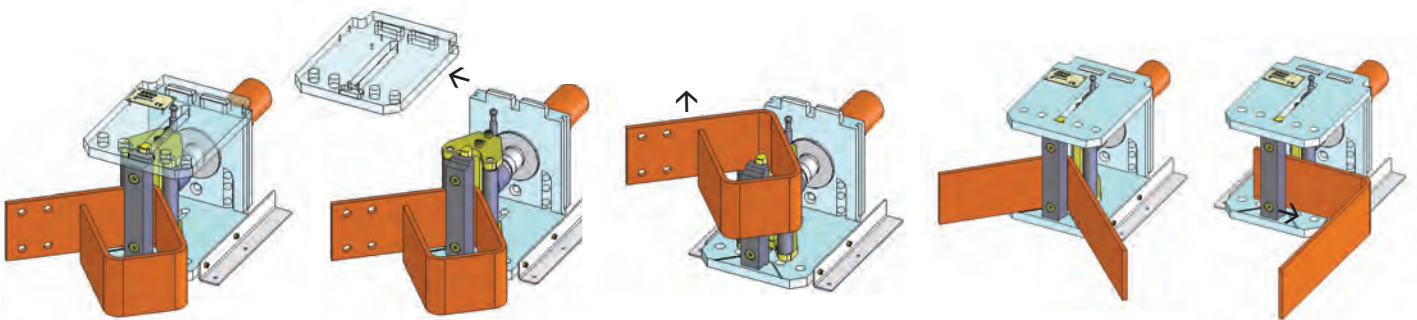
Straighten

2. LARGE CAPACITY: 2000 MM² / 200 X 10 MM (8" X 3/8")

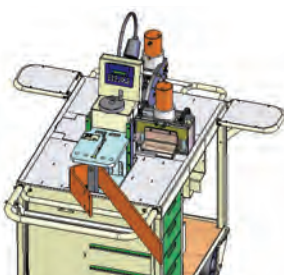
Article N°	Description		
545670	Busbar bender	1	51 kg



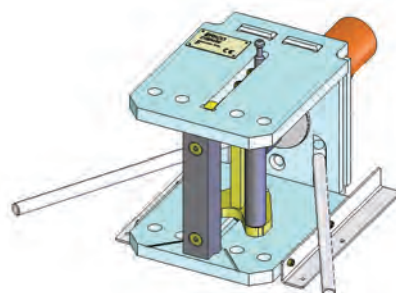
3. EASY ACCESS ALLOWING NUMEROUS BENDING POSSIBILITIES



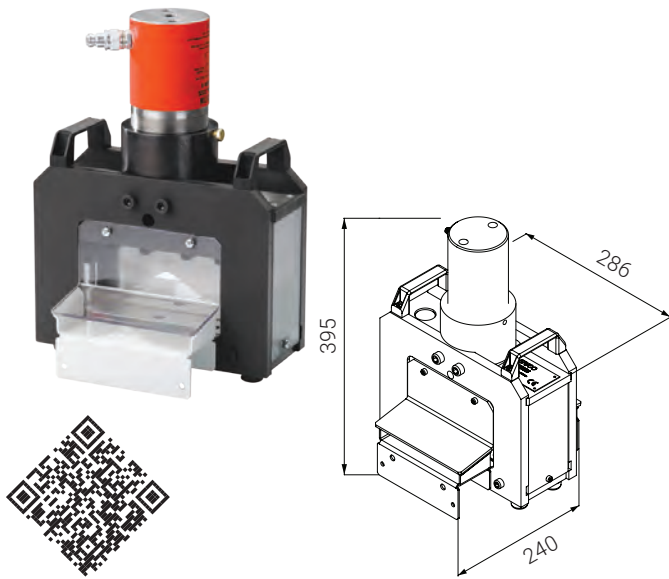
4. LARGE WORKING SURFACE FOR BENDING OPERATION





5. BAR SUPPORT (OUT OF THE WORK CENTER)



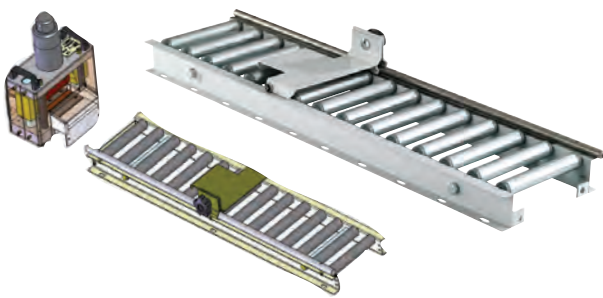
Hydraulic Busbar Cutter



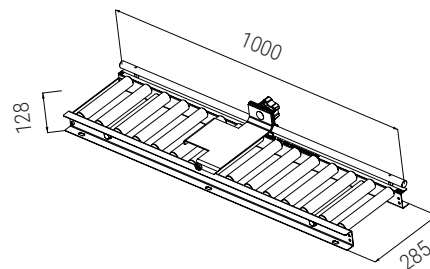
- Copper or Aluminium Busbar
- Maximum Capacity
- Maximum bar width: 125 mm (5")
- Maximum bar thickness: 12,7 mm (1/2")
- Blade 7 mm thick
- Strong mechanical construction: Guiding system 2 columns
- Flat and clean cut edge
- Visual inspection of cutting position
- Transparent finger protection
- Easy access for blade maintenance

Article N°	Description		
545690	Hydraulic Busbar Cutter	1	41 kg
545695	Hydraulic Busbar Cutter Blade	1	1 kg

Tool Ruler



- In combination with hydraulic busbar cutter (545690) to support the solid bar
- Calibrated end stop (1 m)



Article N°	Description		
558990	Tool ruler HFST-R	1	10 kg

Hydraulic Pump & Foot Controller





HYDRAULIC PUMP

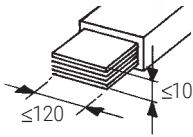
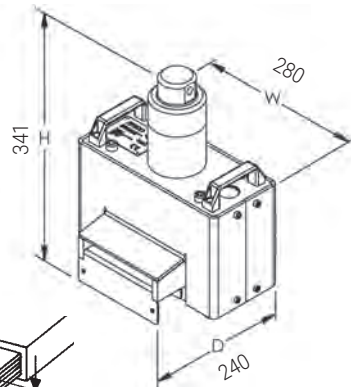
- One hose attached with quick release coupler
- Oil type (545706)
- Tank capacity from 1.9 up to 3.8 liter
- Oil flow 0,2 L per minute
- 700Bars/370Watts

FOOT CONTROLLER

- 2 Pedals control
- 3 positions foot controller operation: off, on, safety off



Article N°	Description		
545700	Electro Hydraulic Pump 230 V + Foot Controller	1	40 kg
545701	Electro Hydraulic Pump 115 V + Foot Controller	1	40 kg
545706	Hydraulic oil 0,946 liter	1	1 kg

Hydraulic Flexibar Shearing Tool



- Copper or Aluminium
- Strong mechanical construction
- Cuts quickly and accurately without burrs or deformation
- Visual inspection of cutting position
- Maximum Capacity Copper cross section 1200 mm²
- Width of bar: 120 mm (4-3/4")
- Thickness of bar: 12 mm (1/2")
- Flexibar 10 x 120 x 1 maximummaximum

WARNING: Cutting solid bars will damage the tool

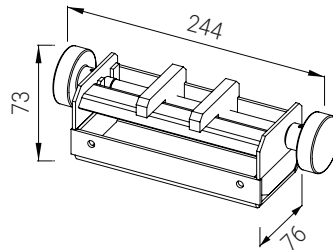
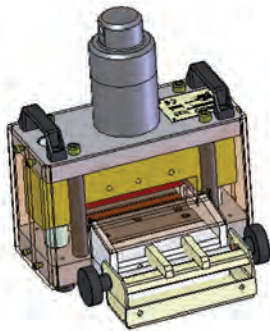
Article N°	Description		
559010	Hydraulic shearing tool HFST	1	34 kg
559040	Tool blades HFST-C	1	1 kg

Flexibar Shearing Tool Guide

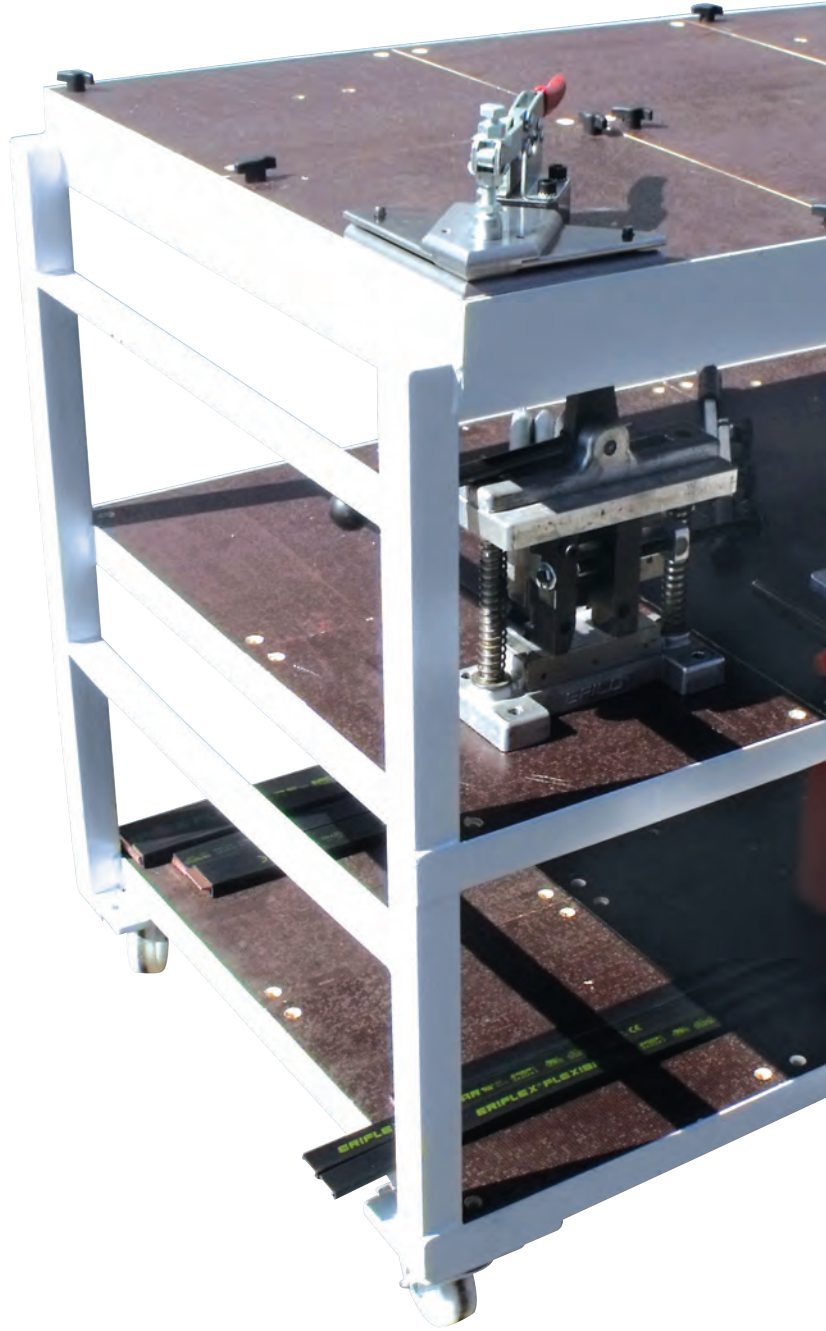


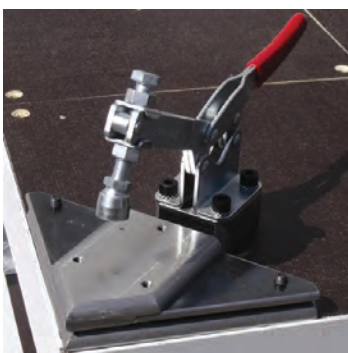
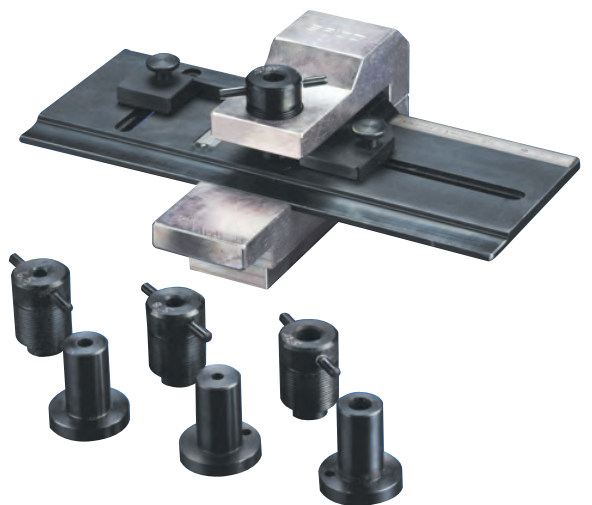
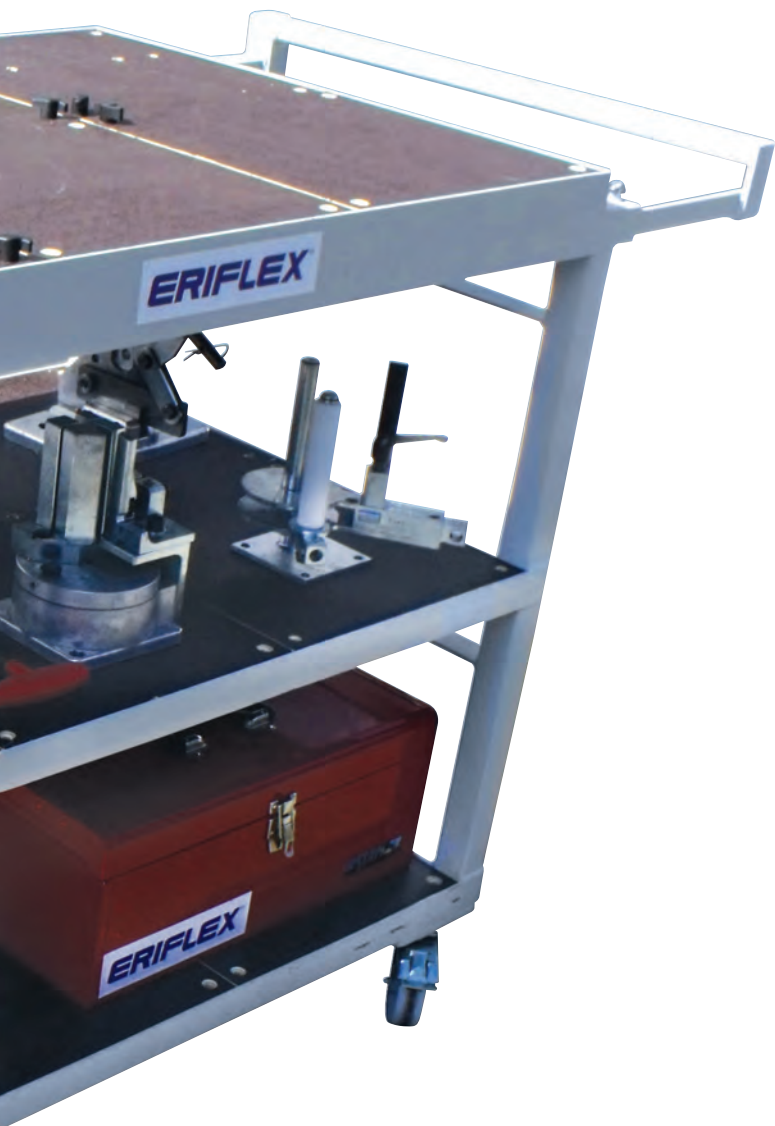
- Adjust the Flexibar position in the tool quick set up - No tool required
- Increases blade life expectancy

Article N°	Description		
559020	Tool Guide HFST-B	1	1 kg



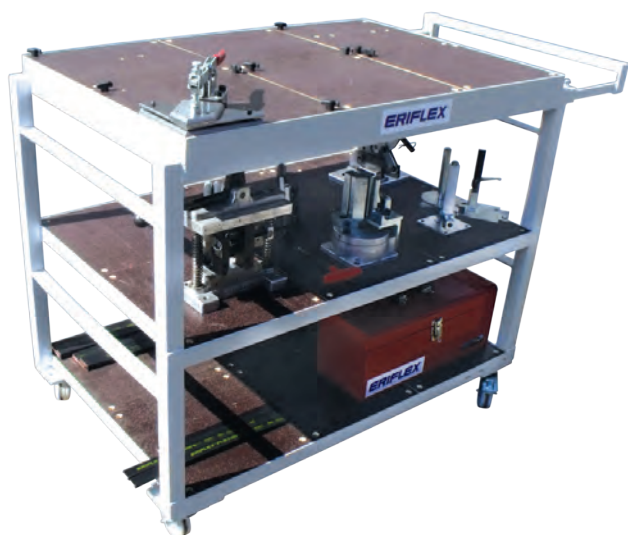
Manual Flexibar Work Center





Manual Flexibar Work Center (MFWC)

MODULAR TABLE FOR FLEXIBAR MANUAL TOOLS

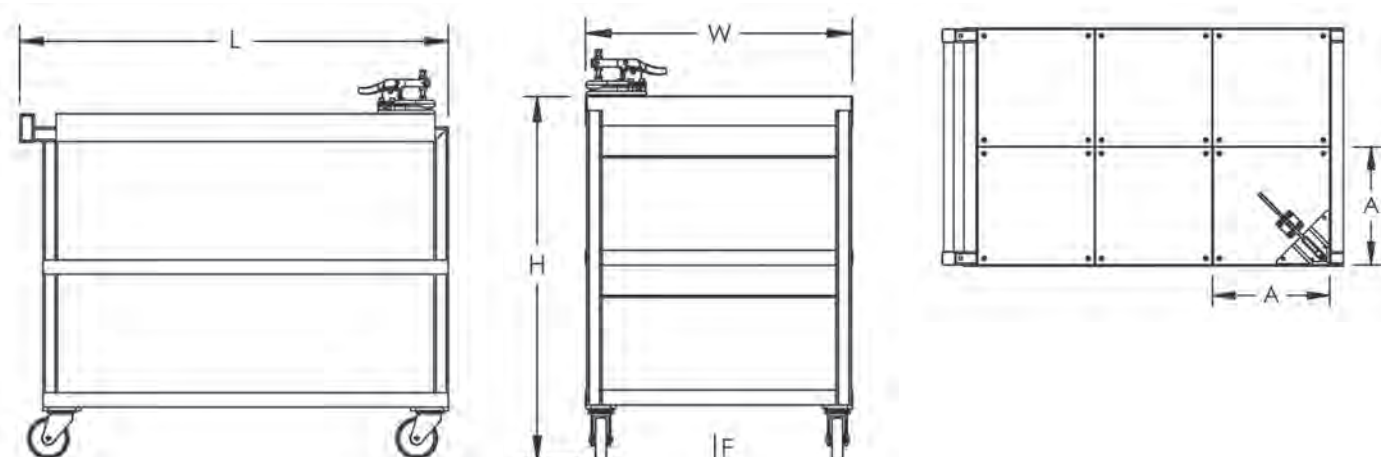


FEATURES

- Modular table with large work surface and storage for manual Flexibar tools
- Tools can be fixed directly to interchangeable tiles, allowing tools to be quickly moved from one level to another
- Non-slip bakelite coated plywood tiles fix into place with wing knobs included
- Includes Flexibar Small Bending and Folding Tool
- Forklift rail, locking directional wheels and built-in handles provide easy mobility
- Built-in handle is extendable to accommodate long pieces of Flexibar

SPECIFICATIONS

Part Number	MFWC
Article Number	558940
Unit Weight	95 kg
Certifications	RoHS
Standard Packaging Quantity	1 pc



Flexibar Folding Tool MFF



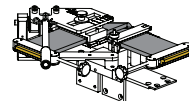
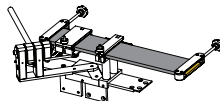
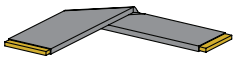
- Flexibar folds up to 10x120x1/12x100x1
- Folds quickly without insulation damage
- Multiple bending shapes: L - U - Z
- Easy to produce many shapes and sizes
- Significantly reduces Flexibar scrap
- Limits heavy Flexibar handling
- Quick and easy tool set up
- Universal tool for workshop or jobsite
- For Flexibar only

Article N°	Description		
558930	Flexibar Folding Tool MFF	1	20 kg

FLEXIBAR FOLDING PROCESS

Overall dimensions: L 600 x W 305 x H 305 mm

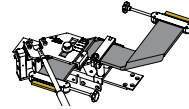
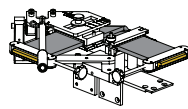
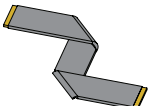
L Shape



Tool (s) to Use

558930 x1

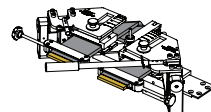
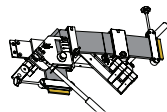
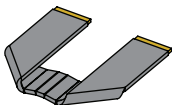
Z Shape



Tool (s) to Use

558930 x1
558931 x1

U Shape

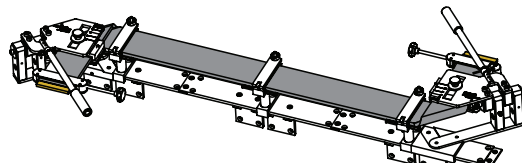
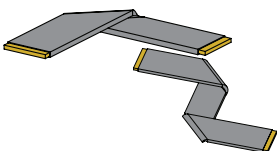


Tool to Use

	L	Z
558930	x1	x2
558932	x2	x1
558933	x2	x1

FLEXIBAR LONG & LARGE QUANTITIES

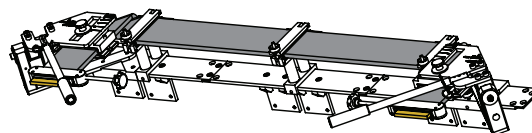
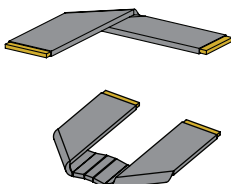
L + Z Shape



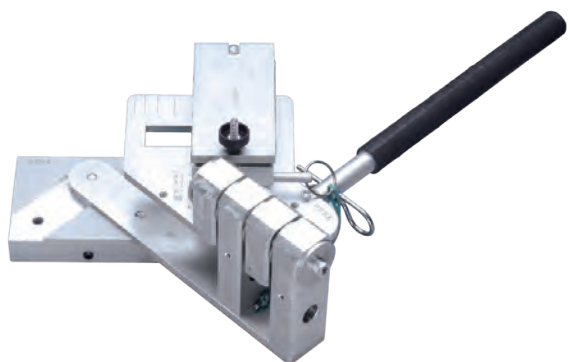
Tool (s) to Use

	L	V
558930	x1	x1
558931		x1
558932	x2	x2
558933	x2	x2

L + U Shape



Flexibar Folding Tool



FLEXIBAR FOLDING TOOL U-SHAPE - MFFU

- Accessory to the MFF tool
- Use with the MFF tool for U-shape folding

Overall dimensions: L 355 x W 305 x H 205 mm

Article N°	Description		
558931	Flexibar Folding Tool U-Shape MFFU	1	9 kg

FLEXIBAR FOLDING TOOL FIXED VICE - MFFV

- Accessory to the MFF tool
- Supports long Flexibar
- Allows easy folding of long Flexibar

Overall dimensions: L 170 x W 125 x H 205 mm



Article N°	Description		
558932	Flexibar Folding Tool Fixed Vice MFFV	1	2,2 kg

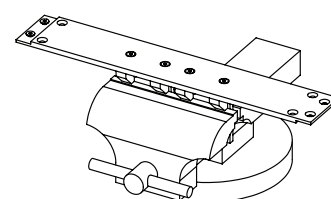
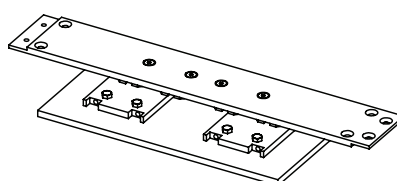
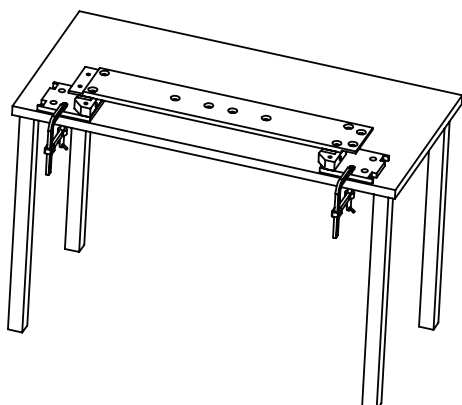


FLEXIBAR FOLDING TOOL RAIL - MFFR

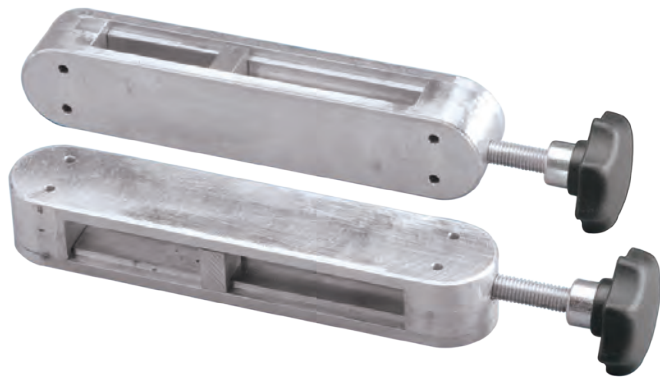
- Accessory to the MFF tool
- Assists with the assembly of the MFF and MFFU tools for long Flexibar
- Fix the folding tool to the workbench or vice

Overall dimensions: L 600 x W 100 x H 120 mm

Article N°	Description		
558933	Flexibar Folding Tool Rail MFFR	1	6,4 kg

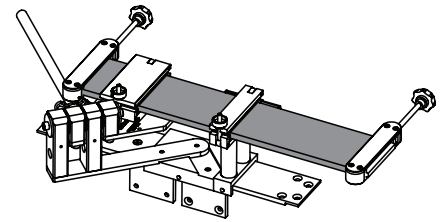
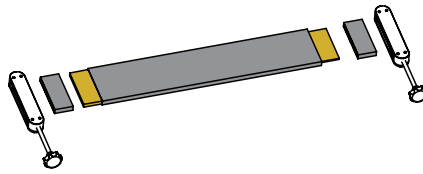
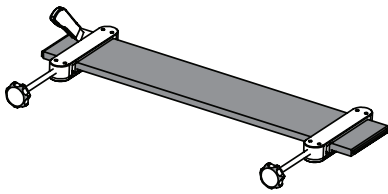


Flexibar Folding Tool



FLEXIBAR FOLDING TOOL CLAMP - MFFC

- Accessory to the MFF tool
- Prevents any Flexibar laminates from sliding during the folding operation
- Allows for quality palms on Flexibar ends
- Helps with insulation stripping on large Flexibar sizes



Overall dimensions: L 240 x W 50 x H 50 mm

Article N°	Description	Flexibar		
558934	Flexibar Folding Tool Clamp 63 MFFC	20 -> 63	2	0,45 kg
558935	Flexibar Folding Tool Clamp 120 MFFC	20 -> 120	2	0,535 kg



Flexibar Bending Tool HFBT

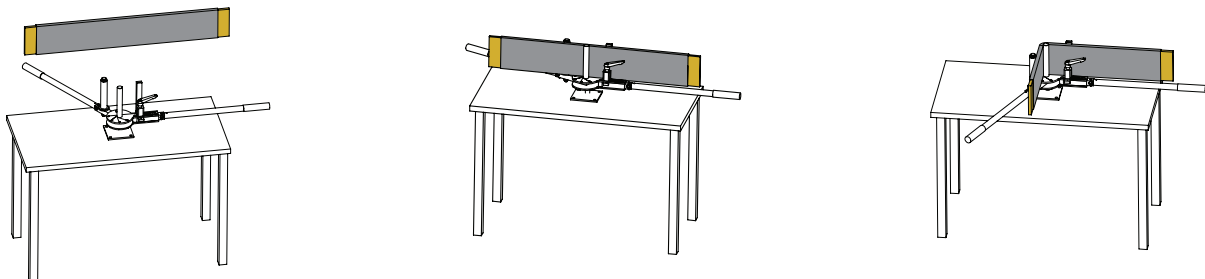


- Flexibar bends up to 10x120x1/12x100x1
- Bends quickly without insulation damage
- Limits heavy Flexibar handling
- Universal tool for workshops or jobsites
- Angle adjustment up to 180°
- Bending radius: 10 mm
- Compact tool in steel case

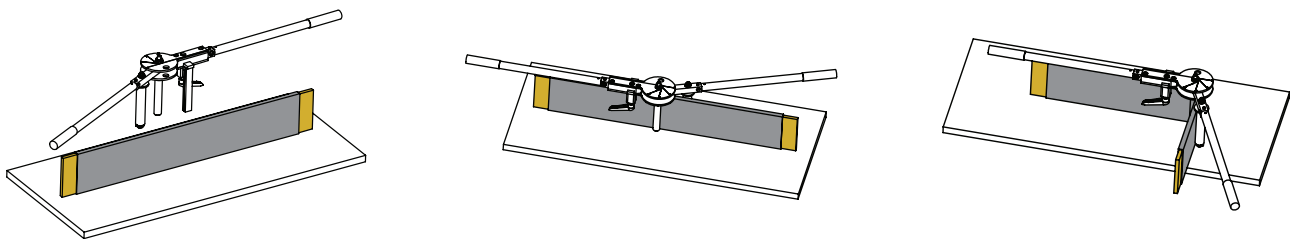
Article N°	Description		
558920	Flexibar Bending Tool	1	7 kg



On Workbench



On Jobsite



Tool Capability



Flexibar Manual Tools

A COMPLETE RANGE OF USEFUL HAND TOOLS FOR FLEXIBAR, BRAIDS AND DIN PROFILES

Cutting, bending, drilling, twisting: nVent ERIFLEX offers a complete manual tool range.



TWISTING TOOL



STRIPPING TOOL



SHEARING TOOL



BENDING TOOL

EVERY TOOL CAN BE PURCHASED SEPARATELY - SEE PAGES 19-21

FLEXIBAR WORKBENCH

A COMPLETE SET OF USEFUL HAND TOOLS FOR FLEXIBAR.

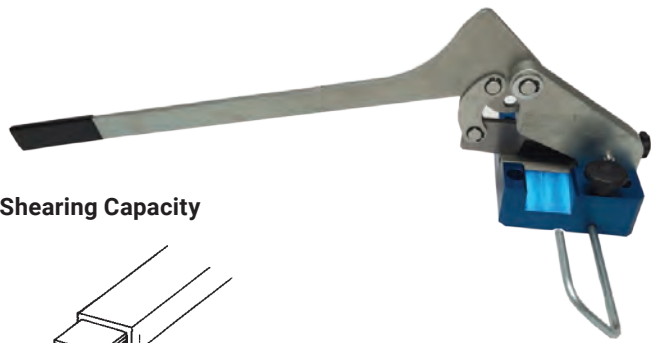


Overall dimensions: L 500 x W 500 x H 290 mm

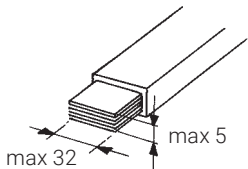
- A. Cutting tool
 - Specifically designed for cutting Flexibar up to 5x32 cm
- B. Stripping tool
 - Cut all 4 sides of insulation in one operation without marking the copper.
- C. Bending tool
 - Simple hand operated bending tool. Does not damage insulation.
- D. Twisting tool
 - Used in conjunction with bending tool. This simple tool facilitates plane change
- E. Cutter
 - Stripping knife with interchangeable blades
- F. Instruction
 - Clear instruction sheet for the use of the tools.

Article N°	Description		
559149	Workbench - MFTK	1	35 kg

Flexibar Manual Tools



Shearing Capacity



Flexibar 5 x 32 x 1 maximum

WARNING: Cutting solid bars will damage the tool

SHEARING TOOL

- Cuts quickly and accurately without burrs or deformation
- Cuts with the insulation on – without any damage
- Graduated endstop
- Cost-effective
- Spare blade MFCB



Article N°	Description		
559146	MFSHT-2 Flexibar Manual Shearing Tool	1	6 kg
559147	Replacement Blades for MFSH	1	0.5 kg

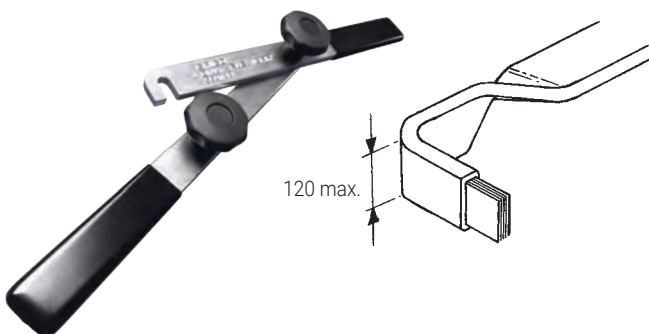


BENDING TOOL

- Bends quickly without insulation damage
- Manual saw guide included
- Adjustable angle up to 120°
- Bending radius: 5 mm
- Maximum capacity: Flexibar 10 x 100 x 1

Overall dimensions: L 170 x I 150 x H 220 mm



Article N°	Description		
559145	MFBT-2 Flexibar Manual Bending Tool	1	7 kg



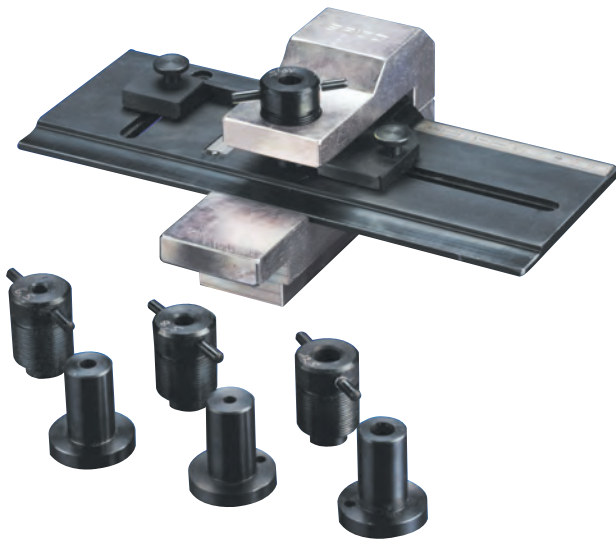
TWISTING TOOL

- Unlimited possibilities of twisting or changing plane. Designed to be used with the bending tool

Overall dimensions: L 560 x I 150 x H 70 mm

Article N°	Description		
559148	MFTT-2 Flexibar Manual Twisting Tool	1	2.5 kg

Flexibar Manual Tools

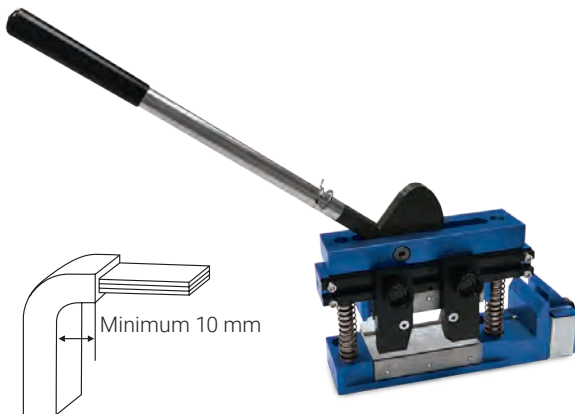


nVENT ERIFLEX FLEXIDRILL DRILL GUIDE

- Multi-diameter, multi-distance between centers.
- This guide facilitates the drilling of one or more holes of various diameters at different distances between centers.
- Drill guide inserts:
 - 6,5 mm / 8,5 mm / 10,5 mm / 12,5 mm (558600)
 - 5/16" Die Set - 1/4" Bolt, 3/8" Die Set - 5/16" Bolt, 17/32" Die Set - 7/16" Bolt, 9/16" Die Set - 1/2" Bolt (558601)

Overall dimensions: L 560 x l 150 x H 70 mm



Article N°	Description		
558600	nVent ERIFLEX Flexidrill	1	9.5 kg
558601	nVent ERIFLEX Flexidrill Imperial	1	9.5 kg



STRIPPING TOOL

- Quick & simple stripping of Flexibar from 9 up to 120 mm
- Cuts all of 4 faces of the insulation in a single operation without damaging the copper.
- Allows stripping on short length
- Aluminium cast body, four holes for fixing

Overall dimensions: L 220 x W 100 x H 250 mm

Article N°	Description		
559143	MFST-2 Flexibar Stripping Tool	1	8 kg
559144	MFST-2 Flexibar Stripping Tool Blade Set	1	1 kg

STRIPPING KNIFE

- Accurately cuts the Flexibar insulation
- Special sharpening to avoid damaging the conductors
- Highly resistant blade, interchangeable
- Blade protection
- Ergonomic shockproof resin handle




Article N°	Description		
559050	Stripping knife - SOK	1	0.062 kg
559060	Spare blade for SOK	1	0.020 kg

Flexibar Manual Tools



PUNCHING TOOL & ACCESSORIES


- Works with copper or aluminium busbar and Flexibar
- Punches flat and clean hole edges
- Accurately punches Flexibar in a single operation without marking the copper laminates
- Quick and easy installation
- Quick setup with interchangeable punch and die system
- Large range of round punches and dies available
- Includes adjustable throat depth stop
- Removable handle
- Portable tool can be used on the jobsite or attached to a workbench
- RoHS compliant

Article No	Part Number	Busbar thickness	Depth	Height	Width	
559152	MFPT	6 mm Max	240 mm	450 mm	110 mm	15.1 kg

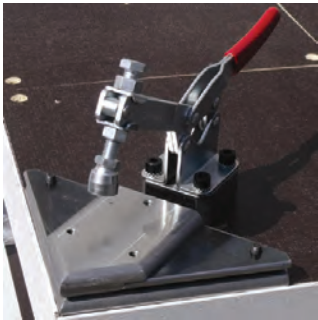
PUNCHING TOOL & ACCESSORIES

- For use with MFPT Flexibar Punching Tool
- Kit includes one punch, one die, and one ejection stop
- Quick and easy installation
- RoHS compliant



Article No	Description	Punch Size	Screw Diameter	
559153	MFPTPD-M6-14	7.0 mm	M6, 1/4"	0.15 kg
559154	MFPTPD-M8	9.0 mm	M8	0.15 kg
559155	MFPTPD-M10-38	11.0 mm	M10, 3/8"	0.15 kg
559156	MFPTPD-M12-12	13.0 mm	M12, 1/2"	0.15 kg

Flexibar Manual Tools



FLEXIBAR SMALL BENDING AND FOLDING TOOL



- Used to ease the process of bending, folding or twisting of Flexibar

Article N°	Description		
558945	SFBF	1	5.1 kg

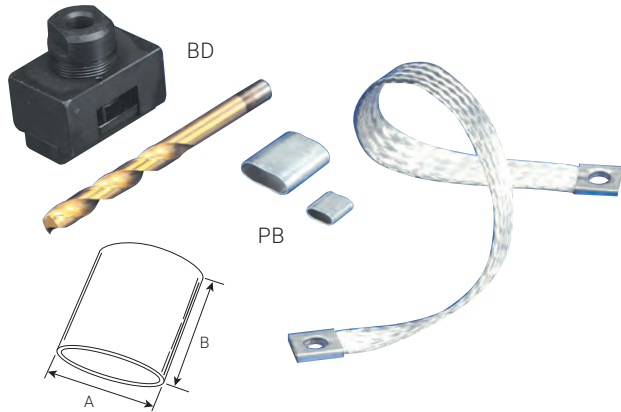
MHYFSHT MANUAL HYDRAULIC FLEXIBAR SHEARING TOOL

- Cuts Flexibar quickly and accurately without burrs or deformation
- Cuts through the insulation without damaging it
- Works with all sizes of Flexibar
- Integrated handles allow for easy portability
- Works without electrical or hydraulic power
- Includes two brackets for mounting to workbench
- Strong mechanical assembly
- Replacement blade available
- RoHS compliant



Article N°	Description		
559151	MHYFSHT - Manual Hydraulic Flexibar Shearing Tool	1	29 kg

Flexibar Manual Tools



BRAID & CRIMP DRILL TOOL

- BD - Crimp & Braid Drill Tool
 - Comprised of a guide and adapted drill bit.
 - For crimping and drilling of braid terminals Comprise.
- PB Lugs for Flat Braids
 - Tinned annealed copper

Article N°	Description	Bolts		
558610	BD 16 - 6,5	M6	1	0.653 kg
558640	BD 16 - 8,5	M8	1	0.653 kg
558620	BD 25 - 11	M10	1	0.678 kg
558630	BD 50 - 12,5	M12	1	0.712 kg

Article N°	Description	For Flat Braid	A X B		
557180	PB 16	FTCB or FRCB 15-16	16 x 15	100	0.004 kg
557190	PB 25	FTCB or FRCB 15-25	22 x 25	100	0.010 kg
557380	PB 50	FTCB or FRCB 15-50	30 x 30	100	0.017 kg

CUTTING & PUNCHING TOOL FOR DIN PROFILES

- Punches slots and cuts DIN rail without burrs or deformation
 - Punches horizontal and vertical slots
 - Works with five different types of DIN rail and M6 threaded rod
 - Includes ruler, guide and end stops
 - RoHS compliant

Overall dimensions: L 165 x W 100 x H 200 mm

Lever: 630 mm



Article N°	Description		
559142	DIN rail Cutter	1	13 kg

Manual Tool Product

Art. No.	Description	Page
545650	Hydraulic Busbar & Flexibar Work Center - 230V	7
545670	Busbar bender	10
545680	Puncher	9
545690	Hydraulic Busbar Cutter	11
545695	Hydraulic Busbar Cutter Blade	11
545700	Electro Hydraulic Pump 230 V + Foot Controller	11
545701	Electro Hydraulic Pump 115 V + Foot Controller	11
545706	Hydraulic oil 0,946 liter	11
545720	Hydraulic Busbar & Flexibar Work Center - 115V	7
545800	6,5 mm punch	9
545801	6,5 mm die	9
545805	9 mm punch	9
545806	9 mm die	9
545810	11 mm punch	9
545811	11 mm die	9
545815	14 mm punch	9
545816	14 mm die	9
545820	18 mm punch	9
545821	18 mm die	9
545825	20 mm punch	9
545826	20 mm die	9
545850	6,5x13 mm punch	9
545851	6,5x13 mm die	9
545855	9x18 mm punch	9
545856	9x18 mm die	9
545860	11x20 mm punch	9
545861	11x20 mm die	9
545865	14x20 mm punch	9
545866	14x20 mm die	9
545890	6,5-9-11-14 ejection stop	9
545892	18-20 ejection stop	9
545900	Punch Holder 6,5-9-11-14	9
545905	Punch Holder 18-20	9
545910	Die Holder	9

Art. No.	Description	Page
545950	5/16" Punch - 1/4" Bolt	9
545951	5/16" Die - 1/4" Bolt	9
545955	3/8" Punch - 5/16" Bolt	9
545956	3/8" Die - 5/16" Bolt	9
545960	17/32" Punch - 7/16" Bolt	9
545961	17/32" Die - 7/16" Bolt	9
545965	9/16" Punch - 1/2" Bolt	9
545966	9/16" Die - 1/2" Bolt	9
557180	PB 16	16
557190	PB 25	16
557380	PB50	16
558600	Flexidrill	14
558601	Flexidrill Imperial	14
558610	BD 16 - 6,5	16
558620	BD 25 - 11	16
558630	BD 50 - 12,5	16
558640	BD 16 - 8,5	16
558900	Workbench - FT Kit	13
558990	Tool ruler HFST-B	11,12
559010	Hydraulic shearing tool HFST	12
559020	Tool Guide HFST-B	12
559040	Tool blades HFST-C	12
559050	Stripping knife - SOK	15
559060	Spare blade for SOK	15
559100	Stripping Tool - MFS	15
559110	Set of blades for MFS	15
559120	Set of blades for MFC	13
559140	DRCK	16
559150	Bending Tool - MFB	14
559160	Twisting Tool - MFT	14
559170	Shearing Tool	13
559190	Manual Bending Tool - MCBB	15

Our powerful portfolio of brands:

CADDY ERICO HOFFMAN RAYCHEM SCHROFF TRACER



[nVent.com/ERIFLEX](https://www.nvent.com/ERIFLEX)

©2018 nVent. All nVent marks and logos are owned or licensed by nVent Services GmbH or its affiliates. All other trademarks are the property of their respective owners. nVent reserves the right to change specifications without notice.

ERIFLEX-SB-P1356B-P331LT17WW-EN-1805